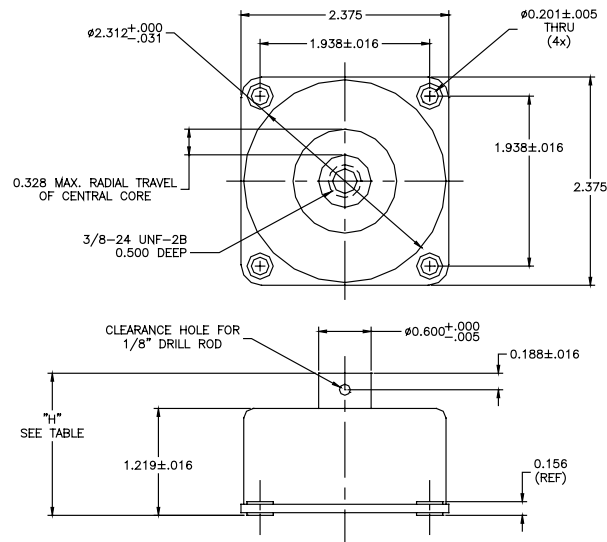


50764 Series (35 to 80 lbs)

Drawing



Load Ratings

Part Number	Max. Load (lbs.)
50764-35	35
50764-50	50
50764-80	80

	Height (H)
Compressed	1.25
Approx. Free	1.62
Max. Extended	1.94

Stiffness Curves

